

Prepared for:
TIMOTHY MAY
MANSFIELD CITY OF
1200 E Broad St
Mansfield, TX 76063
Phone: 817-276-3634

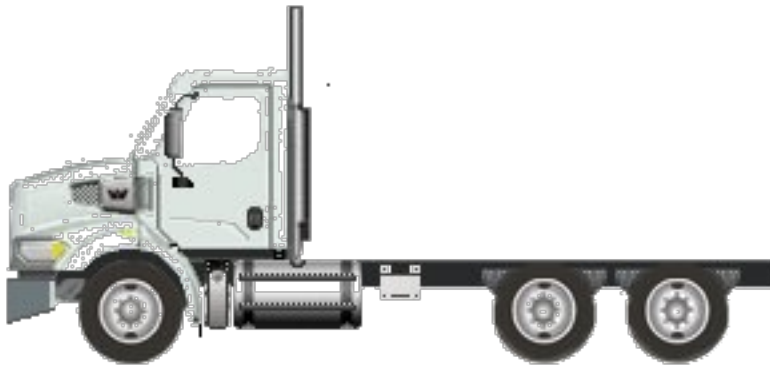
Prepared by:
jason wade
LONESTAR TRUCK GROUP
WACO
4800 INTERSTATE 35 N
WACO, TX 76705
Phone: 254-752-9735

A proposal for
MANSFIELD CITY OF

Prepared by
LONESTAR TRUCK GROUP WACO
jason wade

Nov 21, 2024

Western Star 47X



Components shown may not reflect all spec'd options and are not to scale

Prepared for:
TIMOTHY MAY
MANSFIELD CITY OF
1200 E Broad St
Mansfield, TX 76063
Phone: 817-276-3634

Prepared by:
jason wade
LONESTAR TRUCK GROUP
WACO
4800 INTERSTATE 35 N
WACO, TX 76705
Phone: 254-752-9735

S P E C I F I C A T I O N P R O P O S A L

Data Code	Description	Weight Front	Weight Rear
Price Level			
PRL-29X	WST 47X/49X PRL-29X (EFF:MY26 ORDERS)		
Data Version			
DRL-018	SPECPRO21 DATA RELEASE VER 018		
Vehicle Configuration			
001-470	WESTERN STAR 47X	9,050	6,525
004-226	2026 MODEL YEAR SPECIFIED		
002-004	SET BACK AXLE - TRUCK		
019-006	TRAILER TOWING PROVISION AT END OF FRAME WITH SAE J560	10	10
003-001	LH PRIMARY STEERING LOCATION		
General Service			
AA1-003	TRUCK/TRAILER CONFIGURATION		
AA6-002	DOMICILED, USA (EXCLUDING CALIFORNIA AND CARB OPT-IN STATES)		
99D-027	EPA EMISSIONS CERTIFICATION FOR REGISTRATION IN EPA OR ACT STATES - EPA CLEAN IDLE (INCLUDES 6X4 INCH LABEL ON LOWER FORWARD OF DRIVER DOOR)		
A85-011	CONSTRUCTION SERVICE		
A84-1CO	CONSTRUCTION BUSINESS SEGMENT		
AA4-010	DIRT/SAND/ROCK COMMODITY		
AA5-002	TERRAIN/DUTY: 100% (ALL) OF THE TIME, IN TRANSIT, IS SPENT ON PAVED ROADS		
AB1-008	MAXIMUM 8% EXPECTED GRADE		
AB5-001	SMOOTH CONCRETE OR ASPHALT PAVEMENT - MOST SEVERE IN-TRANSIT (BETWEEN SITES) ROAD SURFACE		
995-1A5	WESTERN STAR VOCATIONAL WARRANTY		
A66-99D	EXPECTED FRONT AXLE(S) LOAD : 14000.0 lbs		
A68-99D	EXPECTED REAR DRIVE AXLE(S) LOAD : 40000.0 lbs		

Prepared for:
 TIMOTHY MAY
 MANSFIELD CITY OF
 1200 E Broad St
 Mansfield, TX 76063
 Phone: 817-276-3634

Prepared by:
 jason wade
 LONESTAR TRUCK GROUP
 WACO
 4800 INTERSTATE 35 N
 WACO, TX 76705
 Phone: 254-752-9735

Data Code	Description	Weight Front	Weight Rear
A63-99D	EXPECTED GROSS VEHICLE WEIGHT CAPACITY : 54000.0 lbs		
A70-99D	EXPECTED GROSS COMBINATION WEIGHT : 80000.0 lbs		
Truck Service			
AA3-004	END DUMP BODY		
AF3-2CP	DEALER STOCK TRUCK - UPFIT UNDETERMINED		
Tractor Service			
AA2-005	FLATBED TRAILER		
AH6-001	SINGLE (1) TRAILER		
Engine			
101-3BT	CUM L9 350 HP @ 2200 RPM; 2200 GOV RPM, 1050 LB-FT @ 1200 RPM	-850	-70
Electronic Parameters			
79A-075	75 MPH ROAD SPEED LIMIT		
79B-000	CRUISE CONTROL SPEED LIMIT SAME AS ROAD SPEED LIMIT		
79K-007	PTO MODE ENGINE RPM LIMIT - 1100 RPM		
79P-002	PTO RPM WITH CRUISE SET SWITCH - 700 RPM		
79S-010	PTO MODE CANCEL VEHICLE SPEED - 3 MPH		
79U-007	PTO GOVERNOR RAMP RATE - 250 RPM PER SECOND		
79V-001	FUEL DOSING OF AFTERTREATMENT ENABLED IN PTO MODE-CLEANS HYDROCARBONS AT HIGH TEMPERATURES ONLY		
79W-025	CRUISE CONTROL BUTTON PTO CONTROL AND ONE REMOTE PTO SPEED		
79X-007	PTO SPEED 1 SETTING - 1000 RPM		
80G-002	PTO MINIMUM RPM - 700		
80J-001	REGEN INHIBIT SPEED THRESHOLD - 0 MPH		
80L-004	ENABLE DPF REGEN STAY WARM		
80S-004	PTO 1, DASH SWITCH, ENGAGE WHILE DRIVING		
80V-004	ENGINE MOUNT PTO, TEM SUPPLIED REQUEST		
Engine Equipment			
99C-024	EPA 2010/GHG 2024 CONFIGURATION		
13E-001	STANDARD OIL PAN		
105-001	ENGINE MOUNTED OIL CHECK AND FILL		

Prepared for:
TIMOTHY MAY
MANSFIELD CITY OF
1200 E Broad St
Mansfield, TX 76063
Phone: 817-276-3634

Prepared by:
jason wade
LONESTAR TRUCK GROUP
WACO
4800 INTERSTATE 35 N
WACO, TX 76705
Phone: 254-752-9735

Data Code	Description	Weight Front	Weight Rear
014-116	SIDE OF HOOD AIR INTAKE WITH ENGINE MOUNTED AIR CLEANER		
124-1D7	DR 12V 160 AMP 28-SI QUADRAMOUNT PAD ALTERNATOR WITH REMOTE BATTERY VOLT SENSE	-10	
292-222	(3) DTNA GENUINE, HIGH TEMP AGM STARTING AND CYCLING, MIN 2775CCA, 570RC, THREADED STUD BATTERIES		
290-1CD	BATTERY BOX WITH ALUMINUM COVER MOUNTED SHORT SIDE TO RAIL	-50	10
282-003	SINGLE BATTERY BOX FRAME MOUNTED LH SIDE BACK OF CAB		
291-017	WIRE GROUND RETURN FOR BATTERY CABLES WITH ADDITIONAL FRAME GROUND RETURN		
289-020	UNPOLISHED ALUMINUM WST BATTERY BOX COVER		
293-058	NON-ESSENTIAL POSITIVE LOAD DISCONNECT, IN CAB CONTROL SWITCH MOUNTED OUTBOARD OF DRIVER SEAT	2	
295-029	POSITIVE AND NEGATIVE POSTS FOR JUMPSTART LOCATED ON FRAME NEXT TO STARTER	2	
107-032	CUMMINS TURBOCHARGED 18.7 CFM AIR COMPRESSOR WITH INTERNAL SAFETY VALVE		
152-041	ELECTRONIC ENGINE INTEGRAL SHUTDOWN PROTECTION SYSTEM		
128-1AR	CUMMINS ENGINE INTEGRAL BRAKE WITH VARIABLE GEOMETRY TURBO ON/OFF WITH BRAKE LAMPS	20	
016-1C2	RH OUTBOARD UNDER STEP MOUNTED HORIZONTAL AFTERTREATMENT SYSTEM ASSEMBLY WITH RH B-PILLAR MOUNTED VERTICAL TAILPIPE		
28F-015	ENGINE AFTERTREATMENT DEVICE, AUTOMATIC OVER THE ROAD ACTIVE REGENERATION AND VIRTUAL REGENERATION REQUEST SWITCH IN CLUSTER AND DASH MOUNTED INHIBIT SWITCH		
239-038	11 FOOT 06 INCH (138 INCH+0/-5.9 INCH) EXHAUST SYSTEM HEIGHT		
237-1CR	RH CURVED VERTICAL TAILPIPE B-PILLAR MOUNTED ROUTED FROM STEP		
23U-027	8 GALLON DIESEL EXHAUST FLUID TANK		
23Z-005	UNPOLISHED ALUMINUM WST DIESEL EXHAUST FLUID TANK COVER		

Prepared for:
TIMOTHY MAY
MANSFIELD CITY OF
1200 E Broad St
Mansfield, TX 76063
Phone: 817-276-3634

Prepared by:
jason wade
LONESTAR TRUCK GROUP
WACO
4800 INTERSTATE 35 N
WACO, TX 76705
Phone: 254-752-9735

Data Code	Description	Weight Front	Weight Rear
43X-001	LH HEAVY DUTY STANDARD DIESEL EXHAUST FLUID TANK LOCATION		
43Y-001	STANDARD DIESEL EXHAUST FLUID TANK CAP		
242-001	STAINLESS STEEL AFTERTREATMENT DEVICE/MUFFLER/TAILOPIPE SHIELD		
273-058	AIR POWERED ON/OFF ENGINE FAN CLUTCH		
276-002	AUTOMATIC FAN CONTROL WITH DASH SWITCH AND INDICATOR LIGHT, NON ENGINE MOUNTED		
122-1H3	DETROIT FUEL/WATER SEPARATOR WITH WATER IN FUEL SENSOR	10	
110-003	CUMMINS SPIN ON FUEL FILTER		
118-001	FULL FLOW OIL FILTER		
266-107	1400 SQUARE INCH VOCATIONAL RADIATOR		
103-039	ANTIFREEZE TO -34F, OAT (NITRITE AND SILICATE FREE) EXTENDED LIFE COOLANT		
171-007	GATES BLUE STRIPE COOLANT HOSES OR EQUIVALENT		
261-001	STANDARD CHARGE AIR COOLER PLUMBING		
270-016	RADIATOR DRAIN VALVE		
168-002	LOWER RADIATOR GUARD		
138-011	PHILLIPS-TEMRO 1000 WATT/115 VOLT BLOCK HEATER	4	
166-002	PHILLIPS-TEMRO 150 WATT/115 VOLT OIL PREHEATER	4	
140-022	CHROME ENGINE HEATER RECEPTACLE MOUNTED UNDER LH DOOR		
132-004	ELECTRIC GRID AIR INTAKE WARMER		
155-060	DELCO 12V 39MT HD STARTER WITH INTEGRATED MAGNETIC SWITCH	-45	

Transmission

342-582	ALLISON 3000 RDS AUTOMATIC TRANSMISSION WITH PTO PROVISION	-230	-130
---------	--	------	------

Transmission Equipment

343-339	ALLISON VOCATIONAL PACKAGE 223 - AVAILABLE ON 3000/4000 PRODUCT FAMILIES WITH VOCATIONAL MODELS RDS, HS, MH AND TRV		
84B-012	ALLISON VOCATIONAL RATING FOR ON/OFF HIGHWAY APPLICATIONS AVAILABLE WITH ALL PRODUCT FAMILIES		

Prepared for:
TIMOTHY MAY
MANSFIELD CITY OF
1200 E Broad St
Mansfield, TX 76063
Phone: 817-276-3634

Prepared by:
jason wade
LONESTAR TRUCK GROUP
WACO
4800 INTERSTATE 35 N
WACO, TX 76705
Phone: 254-752-9735

Data Code	Description	Weight Front	Weight Rear
84C-023	PRIMARY MODE GEARS, LOWEST GEAR 1, START GEAR 1, HIGHEST GEAR 6, AVAILABLE FOR 3000/4000 PRODUCT FAMILIES ONLY		
84D-023	SECONDARY MODE GEARS, LOWEST GEAR 1, START GEAR 1, HIGHEST GEAR 6, AVAILABLE FOR 3000/4000 PRODUCT FAMILIES ONLY		
84E-013	S1 PERFORMANCE PRIMARY SHIFT SCHEDULE, AVAILABLE FOR 3000/4000 PRODUCT FAMILIES ONLY		
84F-012	S1 PERFORMANCE SECONDARY SHIFT SCHEDULE, AVAILABLE FOR 3000/4000 PRODUCT FAMILIES ONLY		
84G-014	2200 RPM PRIMARY MODE SHIFT SPEED		
84H-014	2200 RPM SECONDARY MODE SHIFT SPEED		
84N-011	NEUTRAL AT STOP ENABLED		
353-076	QUICKFIT BODY LIGHTING CONNECTOR AT END OF FRAME, WITH BLUNTCUTS		
34C-011	ELECTRONIC TRANSMISSION WIRING TO CUSTOMER INTERFACE CONNECTOR		
362-823	CUSTOMER INSTALLED CHELSEA 280 SERIES PTO		
363-001	PTO MOUNTING, LH SIDE OF MAIN TRANSMISSION ALLISON		
341-018	MAGNETIC PLUGS, ENGINE DRAIN, TRANSMISSION DRAIN, AXLE(S) FILL AND DRAIN		
345-003	PUSH BUTTON ELECTRONIC SHIFT CONTROL, DASH MOUNTED		
370-006	WATER TO OIL TRANSMISSION COOLER		
346-003	TRANSMISSION OIL CHECK AND FILL WITH ELECTRONIC OIL LEVEL CHECK		
35T-001	SYNTHETIC TRANSMISSION FLUID (TES-295 COMPLIANT)		

Front Axle and Equipment

400-1A8	DETROIT DA-F-14.7-3 14,700# FF1 71.5 KPI/3.74 DROP SINGLE FRONT AXLE		
418-058	CONMET PRESET PLUS PREMIUM ALUMINUM FRONT HUBS		
402-049	MERITOR 16.5X5 Q+ CAST SPIDER CAM FRONT BRAKES, DOUBLE ANCHOR, FABRICATED SHOES		
403-002	NON-ASBESTOS FRONT BRAKE LINING		
419-003	MOTOR WHEEL CENTRIFUSE FRONT BRAKE DRUMS	-35	

Prepared for:
TIMOTHY MAY
MANSFIELD CITY OF
1200 E Broad St
Mansfield, TX 76063
Phone: 817-276-3634

Prepared by:
jason wade
LONESTAR TRUCK GROUP
WACO
4800 INTERSTATE 35 N
WACO, TX 76705
Phone: 254-752-9735

Data Code	Description	Weight Front	Weight Rear
427-998	NO FRONT BRAKE DUST SHIELDS		
409-006	FRONT OIL SEALS		
408-001	VENTED FRONT HUB CAPS WITH WINDOW, CENTER AND SIDE PLUGS - OIL		
405-002	MERITOR AUTOMATIC FRONT SLACK ADJUSTERS		
536-103	SINGLE HIGH CAPACITY POWER STEERING GEAR, BENDIX, 14.6-18K	-18	
534-015	2 QUART SEE THROUGH POWER STEERING RESERVOIR		
40T-002	CURRENT AVAILABLE SYNTHETIC 75W-90 FRONT AXLE LUBE		
Front Suspension			
620-010	14,600# TAPERLEAF FRONT SUSPENSION	90	
619-005	MAINTENANCE FREE RUBBER BUSHINGS - FRONT SUSPENSION		
410-001	FRONT SHOCK ABSORBERS		
Rear Axle and Equipment			
420-1K3	MERITOR MT-40-14X 40,000# R-SERIES TANDEM REAR AXLE		10
450-060	CONMET PRESET PLUS PREMIUM IRON REAR HUBS		60
421-529	5.29 REAR AXLE RATIO		
424-003	IRON REAR AXLE CARRIER WITH OPTIONAL HEAVY DUTY AXLE HOUSING		40
386-074	MXL 176T MERITOR EXTENDED LUBE MAIN DRIVELINE WITH HALF ROUND YOKES	-50	-50
388-073	MXL 17T MERITOR EXTENDED LUBE INTERAXLE DRIVELINE WITH HALF ROUND YOKES		
452-006	DRIVER CONTROLLED TRACTION DIFFERENTIAL - BOTH TANDEM REAR AXLES		30
878-023	(1) INTERAXLE LOCK VALVE, (1) DRIVER CONTROLLED DIFFERENTIAL LOCK FORWARD-REAR AND REAR-REAR AXLE VALVE		
87A-005	INDICATOR LIGHT FOR EACH INTERAXLE LOCKOUT SWITCH		
87B-008	INDICATOR LIGHT FOR EACH DIFFERENTIAL LOCKOUT SWITCH		
423-020	MERITOR 16.5X7 Q+ CAST SPIDER CAM REAR BRAKES, DOUBLE ANCHOR, FABRICATED SHOES		
433-002	NON-ASBESTOS REAR BRAKE LINING		

Prepared for:
TIMOTHY MAY
MANSFIELD CITY OF
1200 E Broad St
Mansfield, TX 76063
Phone: 817-276-3634

Prepared by:
jason wade
LONESTAR TRUCK GROUP
WACO
4800 INTERSTATE 35 N
WACO, TX 76705
Phone: 254-752-9735

Data Code	Description	Weight Front	Weight Rear
434-011	BRAKE CAMS AND CHAMBERS ON FORWARD SIDE OF DRIVE AXLE(S)		
451-023	CONMET CAST IRON REAR BRAKE DRUMS		
425-998	NO REAR BRAKE DUST SHIELDS		
440-006	REAR OIL SEALS		
426-101	WABCO TRISTOP D LONGSTROKE 2-DRIVE AXLE SPRING PARKING CHAMBERS		
428-003	HALDEX AUTOMATIC REAR SLACK ADJUSTERS		
41T-002	CURRENT AVAILABLE SYNTHETIC 75W-90 REAR AXLE LUBE		
42T-001	STANDARD REAR AXLE BREATHER(S)		
Rear Suspension			
622-297	TUFTRAC GEN2 40,000# REAR SPRING SUSPENSION		410
621-108	9.5 INCH NOMINAL RIDE HEIGHT (460MM GLOBAL REFERENCE HEIGHT)		
431-003	AXLE CLAMPING GROUP		
624-025	55 INCH AXLE SPACING		
623-006	FORE/AFT AND TRANSVERSE CONTROL RODS		
439-001	REAR SHOCK ABSORBERS - ONE AXLE		
Pusher / Tag Equipment			
429-998	NO PUSHER/TAG BRAKE DUST SHIELDS		
Brake System			
490-1AU	WABCO 4S/4M ABS WITH TRACTION CONTROL WITH ATC SHUT OFF SWITCH		
871-001	REINFORCED NYLON, FABRIC BRAID AND WIRE BRAID CHASSIS AIR LINES		
432-003	RELAY VALVE WITH 5-8 PSI CRACK PRESSURE, NO REAR PROPORTIONING VALVE		
480-086	BW AD-9SI BRAKE LINE AIR DRYER WITH HEATER		
479-006	AIR DRYER MOUNTED OUTBOARD ON RH RAIL		
460-001	STEEL AIR BRAKE RESERVOIRS		
477-004	PULL CABLES ON ALL AIR RESERVOIR(S)		
Trailer Connections			
914-001	AIR CONNECTIONS TO END OF FRAME WITH GLAD HANDS FOR TRUCK AND NO DUST COVERS	5	5
296-010	PRIMARY CONNECTOR/RECEPTACLE WIRED FOR SEPARATE STOP/TURN, ABS CENTER PIN POWERED THROUGH IGNITION		

Prepared for:
TIMOTHY MAY
MANSFIELD CITY OF
1200 E Broad St
Mansfield, TX 76063
Phone: 817-276-3634

Prepared by:
jason wade
LONESTAR TRUCK GROUP
WACO
4800 INTERSTATE 35 N
WACO, TX 76705
Phone: 254-752-9735

Data Code	Description	Weight Front	Weight Rear
303-025	SAE J560 7-WAY PRIMARY TRAILER CABLE RECEPTACLE MOUNTED END OF FRAME		
310-998	NO TRAILER ELECTRICAL CABLE	-10	
Wheelbase & Frame			
545-482	4825MM (190 INCH) WHEELBASE		
546-118	9.5MM X 89.0MM X 304.0MM STEEL FRAME (0.37X3.50X11.97 INCH) 120 KSI	-50	210
552-029	1575MM (62 INCH) REAR FRAME OVERHANG		
55W-006	FRAME OVERHANG RANGE: 61 INCH TO 70 INCH	-30	60
AC8-99D	CALC'D BACK OF CAB TO REAR SUSP C/L (CA) : 124.8 in		
AE4-99D	CALC'D FRAME LENGTH - OVERALL : 297.12 in		
ZF1-99D	FRAME HEIGHT TOP FRONT UNLADEN : 35.08 in		
ZF2-99D	FRAME HEIGHT TOP FRONT LADEN : 32.27 in		
ZF3-99D	FRAME HEIGHT TOP REAR UNLADEN : 42.96 in		
ZF4-99D	FRAME HEIGHT TOP REAR LADEN : 40.65 in		
553-001	SQUARE END OF FRAME		
559-001	STANDARD WEIGHT ENGINE CROSSMEMBER		
561-015	STANDARD CAST ALUMINUM CROSSMEMBER BACK OF TRANSMISSION	-15	
562-063	STANDARD CAST ALUMINUM MIDSHIP		
572-082	STANDARD CAST ALUMINUM REARMOST CROSSMEMBER		
565-001	STANDARD SUSPENSION CROSSMEMBER		20
568-012	CAST ALUMINUM REAR SUSPENSION CROSSMEMBER		
Chassis Equipment			
025-001	UNPOLISHED ALUMINUM WST EQUIPMENT COVERS		
556-127	BRIGHT STEEL 1/8 INCH VOCATIONAL BUMPER		
558-070	REMOVABLE FRONT TOW/RECOVERY DEVICE, STORED ON CHASSIS FRAME		
574-001	BUMPER MOUNTING FOR SINGLE LICENSE PLATE		
551-034	CLASS 10.9 THREADED METRIC FASTENERS		
44Z-002	EXTERIOR HARNESSSES WRAPPED IN ABRASION TAPE		
Fuel Tanks			
204-156	100 GALLON/378 LITER ALUMINUM FUEL TANK - LH	10	10

Prepared for:
TIMOTHY MAY
MANSFIELD CITY OF
1200 E Broad St
Mansfield, TX 76063
Phone: 817-276-3634

Prepared by:
jason wade
LONESTAR TRUCK GROUP
WACO
4800 INTERSTATE 35 N
WACO, TX 76705
Phone: 254-752-9735

Data Code	Description	Weight Front	Weight Rear
218-006	25 INCH DIAMETER FUEL TANK(S)		
215-005	PLAIN ALUMINUM/PAINTED STEEL FUEL/HYDRAULIC TANK(S) WITH PAINTED BANDS		
212-007	FUEL TANK(S) FORWARD		
664-001	PLAIN STEP FINISH		
205-001	FUEL TANK CAP(S)		
216-020	EQUIFLO INBOARD FUEL SYSTEM		
202-016	HIGH TEMPERATURE REINFORCED NYLON FUEL LINE		
Tires			
093-2KX	BRIDGESTONE L315 385/65R22.5 18 PLY RADIAL FRONT TIRES	166	
094-2EA	BRIDGESTONE M799 11R22.5 16 PLY RADIAL REAR TIRES		88
Wheels			
502-566	MAXION WHEELS 10035 22.5X12.25 10-HUB PILOT 4.75 INSET 5-HAND STEEL DISC FRONT WHEELS	102	
505-545	MAXION WHEELS 90260 22.5X8.25 10-HUB PILOT 2-HAND HD STEEL DISC REAR WHEELS		160
496-011	FRONT WHEEL MOUNTING NUTS		
497-011	REAR WHEEL MOUNTING NUTS		
Cab Exterior			
829-053	111.6 INCH BBC CONVENTIONAL ALUMINUM CAB		
82A-028	STAINLESS STEEL CAB ACCENT MOLDING		
667-001	FRONT FENDERS		
754-017	BOLT-ON MOLDED FLEXIBLE FENDER EXTENSIONS	10	
678-066	INTERIOR GRAB HANDLES WITH ADDED LOWER LH AND RH A PILLAR GRAB HANDLES AND LH AND RH EXTERIOR NON-SLIP GRAB HANDLES		
65X-010	BRIGHT HOOD MOUNTED AIR INTAKE GRILLE, BLACK SCREEN, WITH LED ACCENT LIGHTS		
640-016	X-SERIES STEEL REINFORCED ALUMINUM CAB		
644-048	X-SERIES VOCATIONAL HOOD		
67U-001	HOOD OPENING ASSIST WITH LOCKING STRUT		
652-016	WESTERN STAR NAMEPLATES		

Prepared for:
TIMOTHY MAY
MANSFIELD CITY OF
1200 E Broad St
Mansfield, TX 76063
Phone: 817-276-3634

Prepared by:
jason wade
LONESTAR TRUCK GROUP
WACO
4800 INTERSTATE 35 N
WACO, TX 76705
Phone: 254-752-9735

Data Code	Description	Weight Front	Weight Rear
727-012	DUAL HADLEY SD-978 26 INCH RECTANGULAR AIR HORNS		
726-001	SINGLE ELECTRIC HORN		
575-001	REAR LICENSE PLATE MOUNT END OF FRAME		
312-095	DUAL STAGE INTELLIGENT LED HEADLIGHTS WITH HEATED LENS SYSTEM		
302-073	VISOR MOUNTED LED MARKER LIGHTS		
315-007	WHITE LED FOG LIGHTS RECESSED IN BUMPER WITH ROCK GUARDS	6	
311-001	DAYTIME RUNNING LIGHTS		
294-1AY	INTEGRAL LED STOP/TAIL/BACKUP LIGHTS		
300-043	LED SIDE TURN SIGNAL		
744-106	C-BAR MIRROR SYSTEM WITH DUAL HEATED MIRRORS WITH INTEGRAL HEATED CONVEX, DUAL REMOTE, STAINLESS STEEL BACK COVER, AND BLACK C-BAR		
796-001	102 INCH EQUIPMENT WIDTH		
743-209	LH AND RH CONVEX MIRRORS INTEGRAL WITH PRIMARY MIRRORS		
74A-001	RH DOWN VIEW MIRROR		
729-001	STANDARD SIDE/REAR REFLECTORS		
677-098	UNPOLISHED ALUMINUM WST AFTERTREATMENT SYSTEM COVER		
275-061	PARK BRAKE REMINDER WARNING SYSTEM		
776-998	NO SLEEPER VENT	-10	
764-020	STAINLESS STEEL EXTERIOR SUN VISOR WITH INTEGRAL MARKER LIGHTS	16	
768-064	SINGLE SOLAR TINTED REAR WINDOW, (1) 31 INCH X 20 INCH	-10	
663-019	1-PIECE ROPED-IN SOLAR GREEN GLASS WINDSHIELD		
659-006	8 LITER (2 GAL) WINDSHIELD WASHER RESERVOIR, CAB MOUNTED, WITH FLUID LEVEL INDICATOR		

Cab Interior

055-015	X-SERIES BASE INTERIOR TRIM LEVEL PACKAGE
707-1C3	CHARCOAL BLACK VINYL BASE LEVEL INTERIOR
70K-016	CARBON WITH BASE BLACK ACCENT
772-001	BLACK MATS

Prepared for:
 TIMOTHY MAY
 MANSFIELD CITY OF
 1200 E Broad St
 Mansfield, TX 76063
 Phone: 817-276-3634

Prepared by:
 jason wade
 LONESTAR TRUCK GROUP
 WACO
 4800 INTERSTATE 35 N
 WACO, TX 76705
 Phone: 254-752-9735

Data Code	Description	Weight Front	Weight Rear
785-014	(2) DASH MOUNTED POWER OUTLETS AND COIN TRAY		
691-001	FORWARD ROOF MOUNTED CONSOLE		
693-019	LH AND RH DOOR STORAGE POCKETS INTEGRATED INTO MOLDED DOOR PANELS		
741-015	(2) COAT HOOKS ON BACKWALL OF CAB		
745-998	NO UPPER BUNK	-50	-50
738-021	DIGITAL ALARM CLOCK IN DRIVER DISPLAY		
170-015	STANDARD HEATER PLUMBING		
698-001	RADIATOR MOUNTED AIR CONDITIONER CONDENSER		
739-033	STANDARD INSULATION		
324-1B3	STANDARD LED CAB LIGHTING		
787-004	REMOTE KEYLESS ENTRY AND 2 TRANSMITTERS	2	
657-001	DOOR LOCKS AND IGNITION SWITCH KEYED THE SAME		
78G-002	KEY QUANTITY OF 2		
655-028	LH AND RH ELECTRIC DOOR LOCKS WITH AUTO UNLOCK FEATURE WHEN DOOR IS SET FROM OPEN TO CLOSED POSITION		
64C-003	BLACK DOOR HANDLES		
740-998	NO MATTRESS	-20	-15
756-1J5	BASIC 2.0 HIGH BACK AIR SUSPENSION DRIVER SEAT WITH 1 CHAMBER AIR LUMBAR, INTEGRATED CUSHION EXTENSION AND TILT		
760-1J4	BASIC 2.0 HIGH BACK NON SUSPENSION PASSENGER SEAT		
759-007	DUAL DRIVER SEAT ARMRESTS, NO PASSENGER SEAT ARMRESTS		
758-135	BLACK MORDURA CLOTH DRIVER SEAT COVER WITH EMBROIDERED LOGO		
761-135	BLACK MORDURA CLOTH PASSENGER SEAT COVER WITH EMBROIDERED LOGO		
763-1AA	3 POINT ADJUSTABLE D-RING RETRACTOR DRIVER AND FIXED D-RING RETRACTOR PASSENGER SEAT BELTS		
532-002	ADJUSTABLE TILT AND TELESCOPING STEERING COLUMN		
540-044	4-SPOKE 18 INCH (450MM) BLACK STEERING WHEEL WITH SWITCHES		
765-002	DRIVER AND PASSENGER INTERIOR SUN VISORS		

Prepared for:
TIMOTHY MAY
MANSFIELD CITY OF
1200 E Broad St
Mansfield, TX 76063
Phone: 817-276-3634

Prepared by:
jason wade
LONESTAR TRUCK GROUP
WACO
4800 INTERSTATE 35 N
WACO, TX 76705
Phone: 254-752-9735

Data Code	Description	Weight Front	Weight Rear
Instruments & Controls			
185-004	STANDARD FOOT PEDAL SYSTEM		
106-002	ELECTRONIC ACCELERATOR CONTROL		
870-001	BLACK GAUGE BEZELS		
734-018	STANDARD CENTER INSTRUMENT PANEL		
840-001	DUAL NEEDLE PRIMARY AND SECONDARY AIR PRESSURE GAUGE		
198-025	INTAKE MOUNTED AIR RESTRICTION INDICATOR WITHOUT GRADUATIONS		
721-001	97 DB BACKUP ALARM		3
149-015	ELECTRONIC CRUISE CONTROL WITH CONTROLS ON STEERING WHEEL SPOKES		
156-007	KEY OPERATED IGNITION SWITCH AND INTEGRAL START POSITION; 4 POSITION OFF/RUN/START/ACCESSORY		
811-044	PREMIUM INSTRUMENT CLUSTER WITH 5.0 INCH TFT COLOR DISPLAY		
81B-003	DIGITAL PANEL LAMP DIMMER SWITCH IN DRIVER DISPLAY		
160-045	HEAVY DUTY ONBOARD DIAGNOSTICS INTERFACE CONNECTOR WITH DUST CAP LOCATED BELOW LH DASH		
844-001	2 INCH ELECTRIC FUEL GAUGE		
148-072	ENGINE REMOTE INTERFACE WITH ONE OR MORE SET SPEEDS		
856-001	ELECTRICAL ENGINE COOLANT TEMPERATURE GAUGE		
854-998	NO ENGINE OIL TEMPERATURE GAUGE		
852-002	ELECTRIC ENGINE OIL PRESSURE GAUGE		
864-022	DIGITAL TRANSMISSION OIL TEMPERATURE IN DRIVER DISPLAY		
867-004	ELECTRONIC OUTSIDE TEMPERATURE SENSOR DISPLAY IN DRIVER MESSAGE CENTER		
830-017	ENGINE AND TRIP HOUR METERS INTEGRAL WITHIN DRIVER DISPLAY		
372-123	PTO CONTROLS FOR ENHANCED VEHICLE ELECTRIC/ELECTRONIC ARCHITECTURE		
736-998	NO OBSTACLE DETECTION SYSTEM		
72J-998	NO DR ASSIST SYSTEM		
49B-004	ELECTRONIC STABILITY CONTROL		
73B-998	NO LANE DEPARTURE WARNING SYSTEM		

Prepared for:
 TIMOTHY MAY
 MANSFIELD CITY OF
 1200 E Broad St
 Mansfield, TX 76063
 Phone: 817-276-3634

Prepared by:
 jason wade
 LONESTAR TRUCK GROUP
 WACO
 4800 INTERSTATE 35 N
 WACO, TX 76705
 Phone: 254-752-9735

Data Code	Description	Weight Front	Weight Rear
35M-010	1 QUICKFIT PROGRAMABLE MODULE (QPM/XMC)	10	
6TS-005	TMC RP1226 ACCESSORY CONNECTOR LOCATED BEHIND PASSENGER SIDE REMOVEABLE DASH PANEL		
746-143	7" B-PANEL INTERACTIVE TOUCHSCREEN DISPLAY RADIO W/ USB-C, APPLE CARPLAY, ANDROID AUTO, BLUETOOTH/AM/FM/SXM/WB, WITH MICROPHONE		
747-001	DASH MOUNTED RADIO		
750-041	STANDARD SPEAKER SYSTEM		
753-998	NO AM/FM RADIO ANTENNA		
748-006	POWER AND GROUND WIRING PROVISION OVERHEAD		
749-001	ROOF/OVERHEAD CONSOLE CB RADIO PROVISION		
751-001	SINGLE REMOTE SPEAKER WITH LEAD FOR 2-WAY RADIO		
752-004	SINGLE FIBERGLASS LH MIRROR MOUNTED CB ANTENNA WITH BRACKET AND LEAD		
75W-001	HEADLINER MULTI-BAND ANTENNA: AM/FM/WEATHERBAND, WIFI/BLUETOOTH, GNSS/GPS		
78C-003	INTEROPERABLE SDAR ANTENNA		
810-027	ELECTRONIC MPH SPEEDOMETER WITH SECONDARY KPH SCALE, WITHOUT ODOMETER		
812-032	ELECTRONIC 2500 RPM TACHOMETER		
813-1C8	DETROIT CONNECT PLATFORM HARDWARE		
8D1-315	5 YEARS DAIMLER CONNECTIVITY BASE PACKAGE (FEATURES VARY BY MODEL) POWERED BY DETROIT CONNECT ON CUMMINS ENGINES		
8DE-998	NO ASE DATA SVCE EXTENSION		
RDE-998	NO EXTENSIONS		
162-002	IGNITION SWITCH CONTROLLED ENGINE STOP		
329-127	TWO EXTRA HARDWIRED SWITCHES IN DASH, ROUTE TO UNDER CAB, BLUNTCUT		
4C1-007	HARDWIRE SWITCH #1, ON/OFF/ON LATCHING, 20 AMPS IGNITION POWER		
4C2-007	HARDWIRE SWITCH #2, ON/OFF/ON LATCHING, 20 AMPS IGNITION POWER		
81Y-005	PRE-TRIP INSPECTION FEATURE FOR EXTERIOR LAMPS ONLY		

Prepared for:
TIMOTHY MAY
MANSFIELD CITY OF
1200 E Broad St
Mansfield, TX 76063
Phone: 817-276-3634

Prepared by:
jason wade
LONESTAR TRUCK GROUP
WACO
4800 INTERSTATE 35 N
WACO, TX 76705
Phone: 254-752-9735

Data Code	Description	Weight Front	Weight Rear
482-001	BW TRACTOR PROTECTION VALVE		
883-001	TRAILER HAND CONTROL BRAKE VALVE	2	
842-006	DIGITAL TURBO AIR PRESSURE IN DRIVER DISPLAY		
836-015	DIGITAL VOLTAGE DISPLAY INTEGRAL WITH DRIVER DISPLAY		
304-030	ROTARY HEADLAMP SWITCH, MARKER LIGHTS/HEADLIGHTS SWITCH WITH PULL OUT FOR OPTIONAL FOG/ROAD LAMPS		
882-021	TWO VALVE PARKING BRAKE SYSTEM WITH DASH VALVE CONTROL AUTONEUTRAL AND WARNING INDICATOR		
299-020	SELF CANCELING TURN SIGNAL SWITCH WITH DIMMER, HEADLAMP FLASH, WASH/WIPE/INTERMITTENT		
48H-001	QUICKFIT POWERTRAIN INTERFACE CONNECTOR LOCATED BETWEEN SEATS WITH CAPS		
48C-001	QUICKFIT PROGRAMMABLE INTERFACE CONNECTOR(S) BETWEEN SEATS WITH CAP		

Design

065-000 PAINT: ONE SOLID COLOR

Color

980-5F6 CAB COLOR A: L0006EY WHITE ELITE EY
986-020 BLACK, HIGH SOLIDS POLYURETHANE CHASSIS PAINT
962-972 POWDER WHITE (N0006EA) FRONT WHEELS/RIMS (PKWHT21, TKWHT21, W, TW)
966-972 POWDER WHITE (N0006EA) REAR WHEELS/RIMS (PKWHT21, TKWHT21, W, TW)

Certification / Compliance

996-001 U.S. FMVSS CERTIFICATION, EXCEPT SALES CABS AND GLIDER KITS

TOTAL VEHICLE SUMMARY

Weight Summary

Weight Front	Weight Rear	Total Weight
--------------	-------------	--------------

Prepared for:
TIMOTHY MAY
MANSFIELD CITY OF
1200 E Broad St
Mansfield, TX 76063
Phone: 817-276-3634

Prepared by:
jason wade
LONESTAR TRUCK GROUP
WACO
4800 INTERSTATE 35 N
WACO, TX 76705
Phone: 254-752-9735

Factory Weight ⁺	8038 lbs	7336 lbs	15374 lbs
<hr/>			
Total Weight ⁺	8038 lbs	7336 lbs	15374 lbs

(+) Weights shown are estimates only.

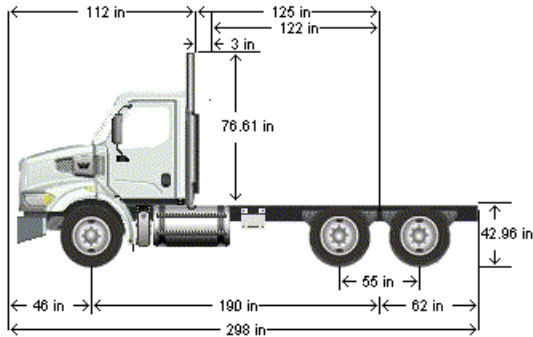
If weight is critical, contact Customer Application Engineering.

(***) All cost increases for major components (Engines, Transmissions, Axles, Front and Rear Tires) and government mandated requirements, tariffs, and raw material surcharges will be passed through and added to factory invoices.

Prepared for:
 TIMOTHY MAY
 MANSFIELD CITY OF
 1200 E Broad St
 Mansfield, TX 76063
 Phone: 817-276-3634

Prepared by:
 jason wade
 LONESTAR TRUCK GROUP
 WACO
 4800 INTERSTATE 35 N
 WACO, TX 76705
 Phone: 254-752-9735

D I M E N S I O N S



VEHICLE SPECIFICATIONS SUMMARY - DIMENSIONS

Model	47X
Wheelbase (545)	4825MM (190 INCH) WHEELBASE
Rear Frame Overhang (552).....	1575MM (62 INCH) REAR FRAME OVERHANG
Fifth Wheel (578)	NO FIFTH WHEEL
Mounting Location (577)	NO FIFTH WHEEL LOCATION
Maximum Forward Position (in).....	0
Maximum Rearward Position (in)	0
Amount of Slide Travel (in).....	0
Slide Increment (in).....	0
Desired Slide Position (in).....	0.0
Cab Size (829).....	111.6 INCH BBC CONVENTIONAL ALUMINUM CAB
Sleeper (682).....	NO SLEEPER BOX/SLEEPERCAB
Exhaust System (016)	RH OUTBOARD UNDER STEP MOUNTED HORIZONTAL AFTERTREATMENT SYSTEM ASSEMBLY WITH RH B-PILLAR MOUNTED VERTICAL TAILPIPE

TABLE SUMMARY - DIMENSIONS

Prepared for:
 TIMOTHY MAY
 MANSFIELD CITY OF
 1200 E Broad St
 Mansfield, TX 76063
 Phone: 817-276-3634

Prepared by:
 jason wade
 LONESTAR TRUCK GROUP
 WACO
 4800 INTERSTATE 35 N
 WACO, TX 76705
 Phone: 254-752-9735

Dimensions	Inches
Bumper to Back of Cab (BBC)	111.6
Bumper to Centerline of Front Axle (BA)	46.5
Front Axle to Back of Cab (AC)	65.2
Min. Cab to Body Clearance (CB)	3.0
Back of Cab to Centerline of Rear Axle(s) (CA)	124.8
Effective Back of Cab to Centerline of Rear Axle(s) (Effective CA)	121.8
Back of Cab Protrusions (Exhaust/Intake) (CP)	2.0
Back of Cab Protrusions (Side Extenders/Trim Tab) (CP)	0.0
Back of Cab Protrusions (CNG Tank)	0.0
Back of Cab Clearance (CL)	3.0
Back of Cab to End of Frame	186.8
Cab Height (CH)	76.6
Wheelbase (WB)	190.0
Frame Overhang (OH)	62.0
Overall Frame Length	297.1
Overall Length (OAL)	298.4
Rear Axle Spacing	55.0
Unladen Frame Height at Centerline of Rear Axle	43.0

Performance calculations are estimates only. If performance calculations are critical, please contact Customer Application Engineering.