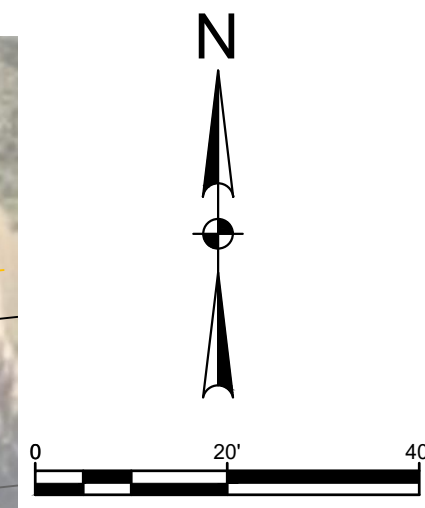


FILE NAME: I:\202008\52440\01\CADD\EXHIBITS\C-PLAN-STRM-52440.dwg DATE: August 16, 2023, TIME: 1:55 PM, USER: ah4193, AVO: 52440



GLEN ABBEY DRAINAGE ANALYSIS AND IMPROVEMENTS
MANSFIELD, TEXAS



half
4000 Fossil Creek Blvd
Fort Worth, Texas 76137-2720
Tel: (817) 847-1422

REVISION NO.	DATE	DESCRIPTION

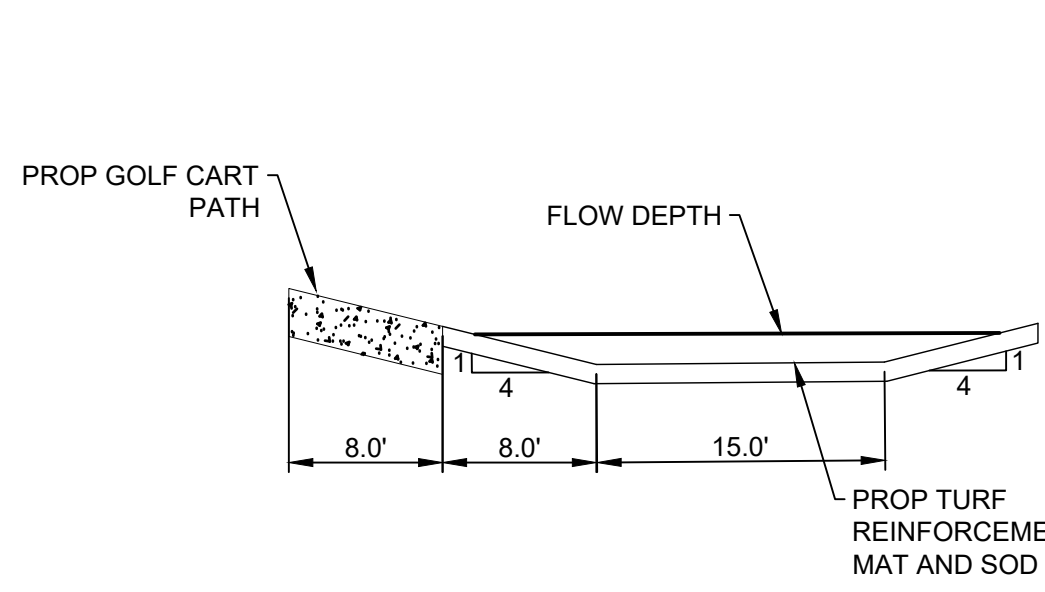
PRELIMINARY
FOR INTERIM REVIEW ONLY

THESE DOCUMENTS ARE FOR INTERIM REVIEW AND NOT INTENDED FOR REGULATORY APPROVAL, PERMIT BIDDING OR CONSTRUCTION PURPOSES. THEY WERE PREPARED BY OR UNDER THE SUPERVISION OF:

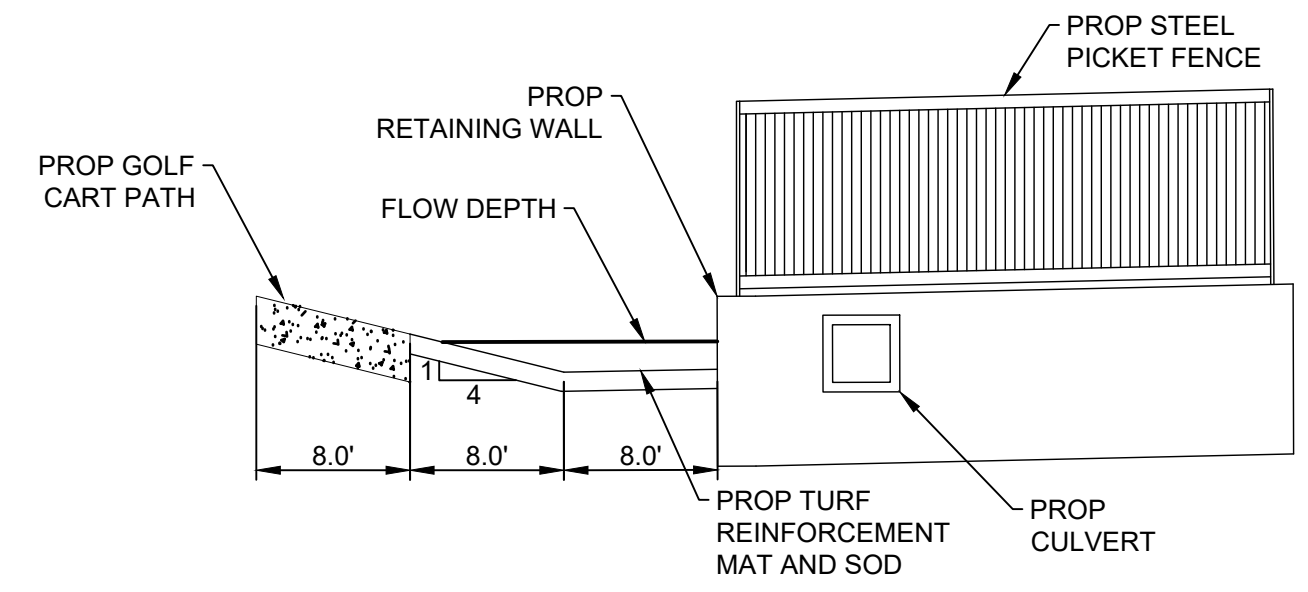
JACOB T. HAYS 127558
NAME P.E. NO.
DATE 8/16/2023
TBPELS ENGINEERING FIRM #F-312

PROJECT NO.: 52440
ISSUED: 8/16/2023
DRAWN BY: TLK
CHECKED BY: JTH
SCALE: AS NOTED
SHEET TITLE

####



PROP DRAINAGE CHANNEL SECTION 1



PROP DRAINAGE CHANNEL SECTION 2